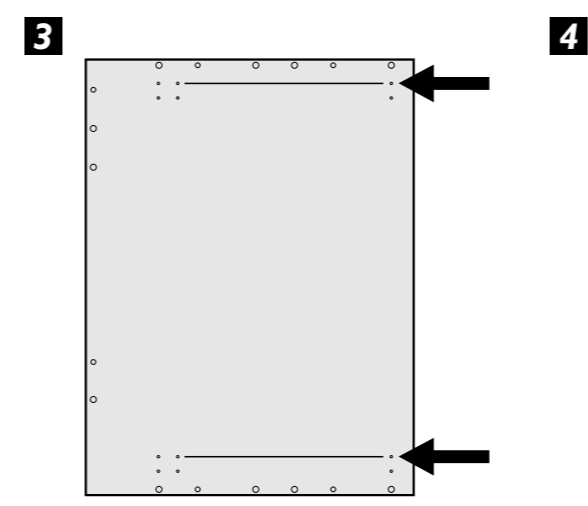
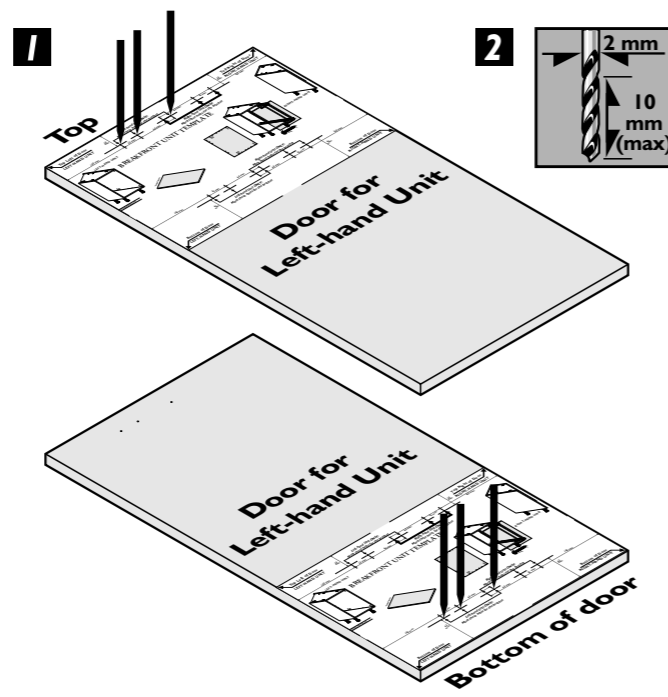


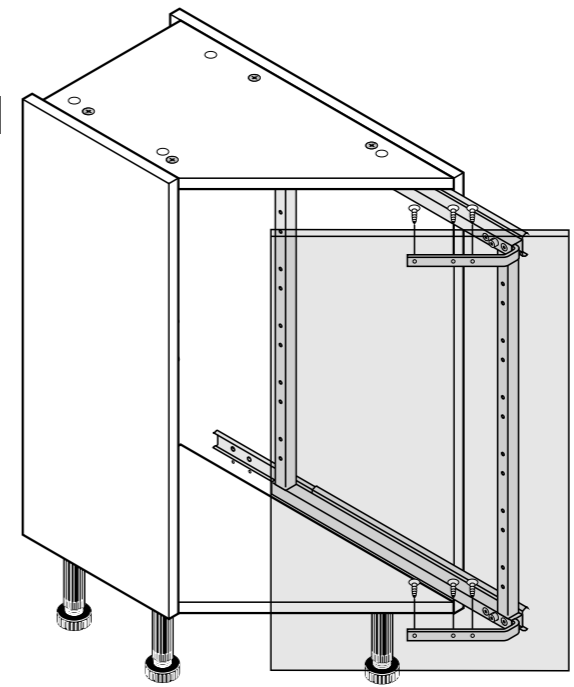
BREAKFRONT UNIT TEMPLATE

Using the Template

- 1- Cut out and position the template over the correct corner of the door to be marked.
- 2- Using a 2mm drill bit, drill a 10mm deep hole at each marked position.



NOTE: The Breakfront wirework fixes into the upper holes on the large end panel



Drawerline Doors

Drawerline Doors

