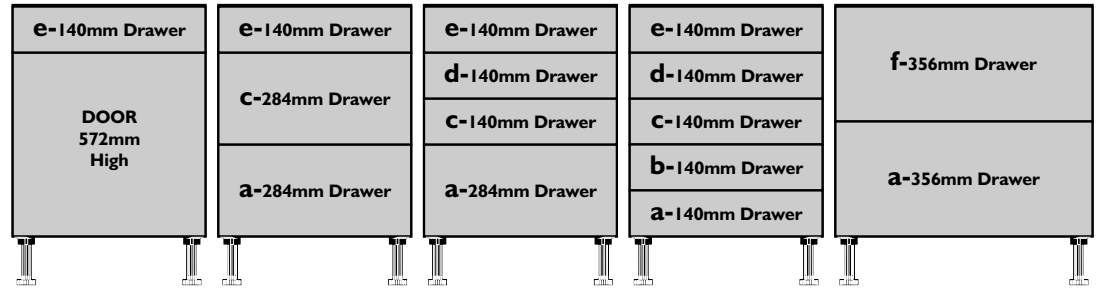
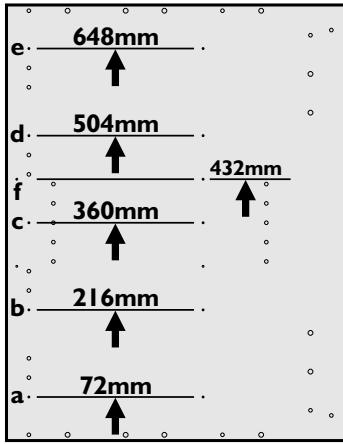
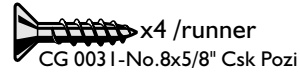


DRAWER BOX ASSEMBLY

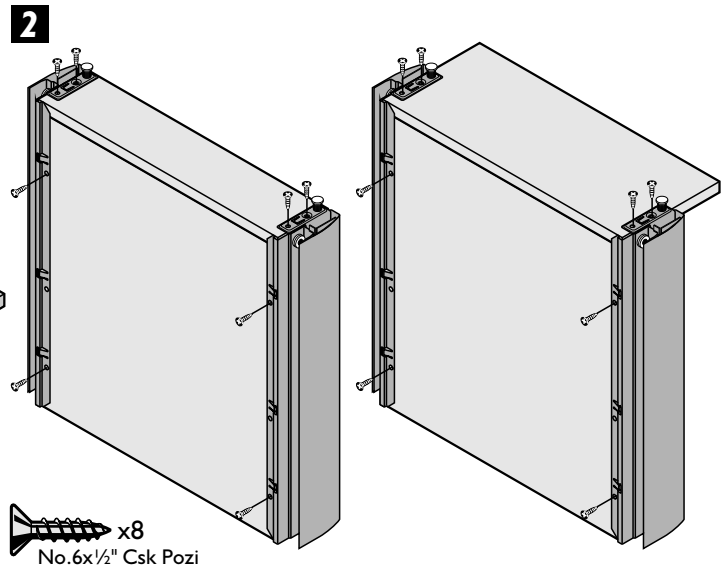
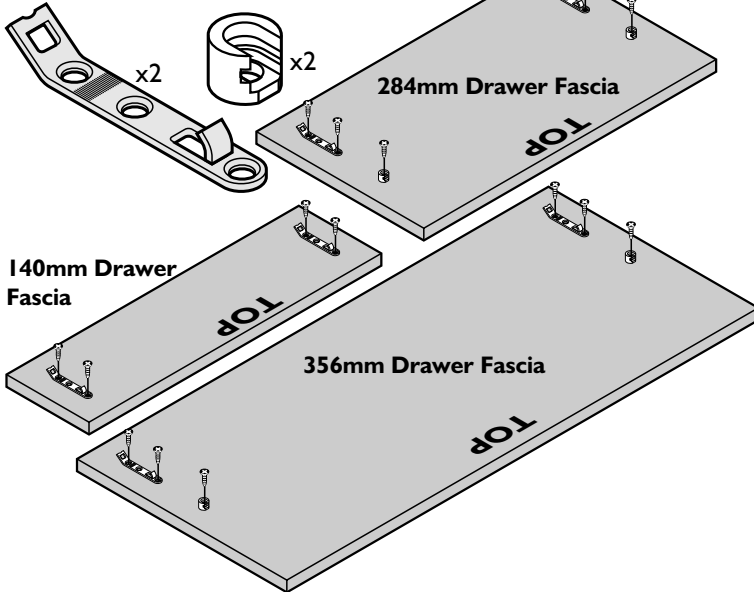
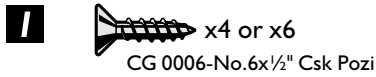
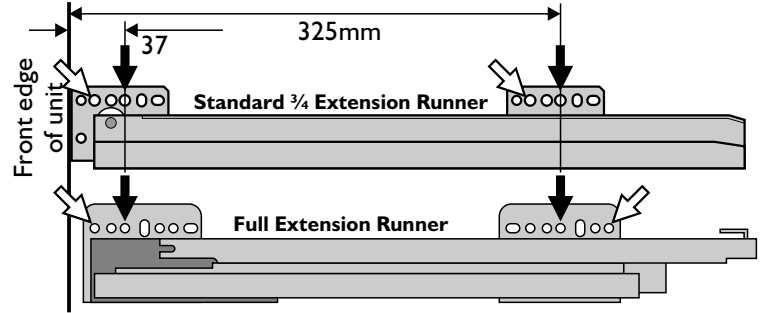


These illustrations show the drawer configurations for the base units. The letter code (a, b, c etc.) refer to the measurements on the drawing of the Base End Panel on the left. The measurements for the drawer runner positions on the Appliance Housings and Mid-height Units are the same as shown on the drawing of the Base End Panel. Refer to the illustrations on the Tall Unit Assembly Instructions for these units for the codes for the drawer runner positions.

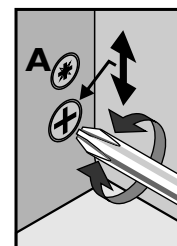
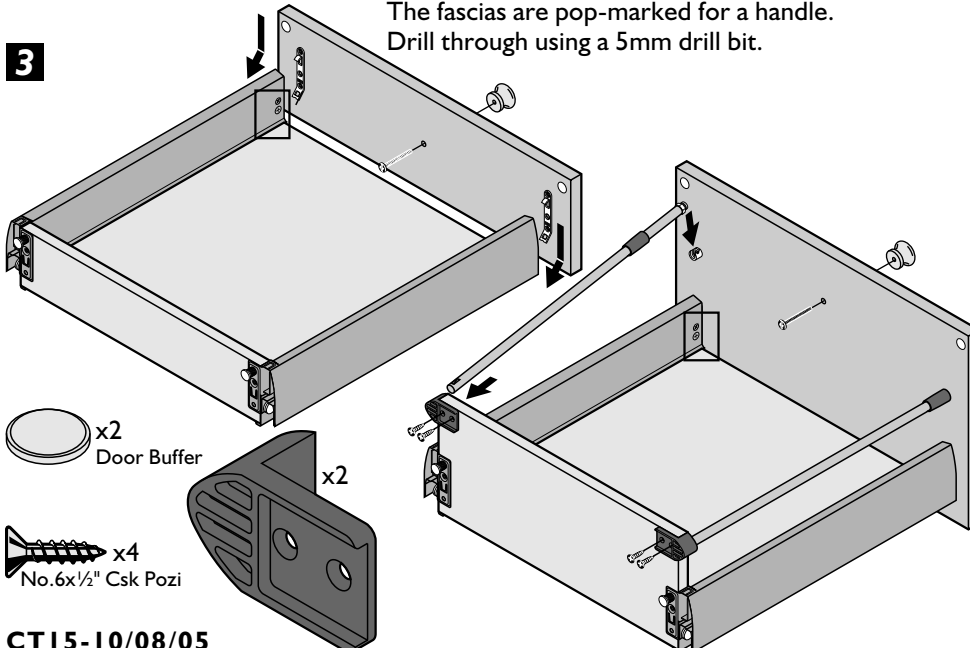


↓ = Position of screws that go into pop-marks in the end panels of the Base Units.

↗ = Position of extra screws. (Not pop-marked)

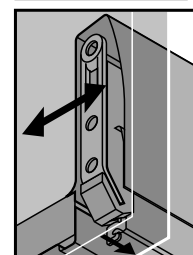


The fascias are pop-marked for a handle. Drill through using a 5mm drill bit.



Vertical Adjustment

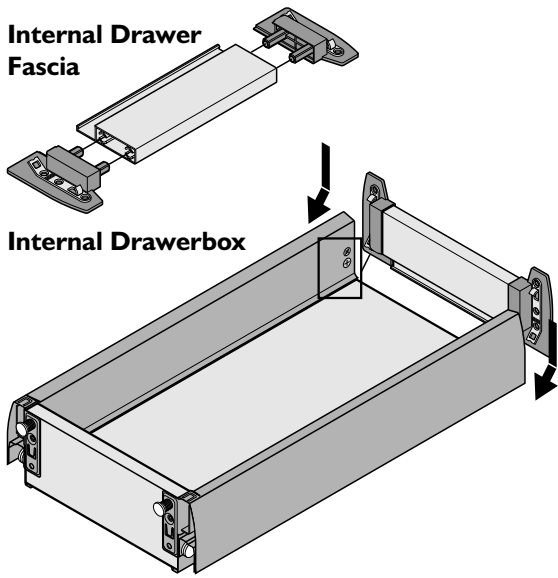
Loosen the top screw 'A' before adjusting fascia. Tighten again afterwards.



Horizontal Adjustment and Fascia Removal

Push the small lever backwards to release the bracket on the fascia. Either move the fascia as necessary and release the lever or remove the fascia..

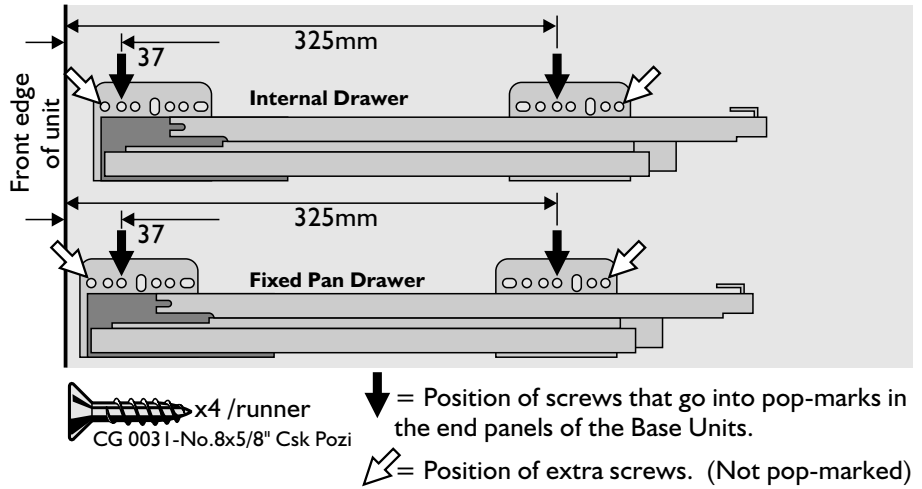
PULL-OUT DRAWERS



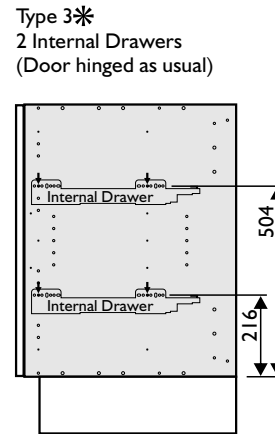
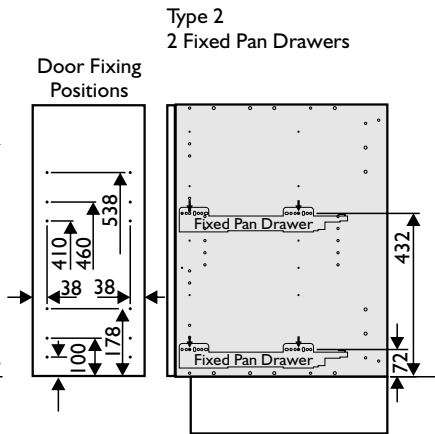
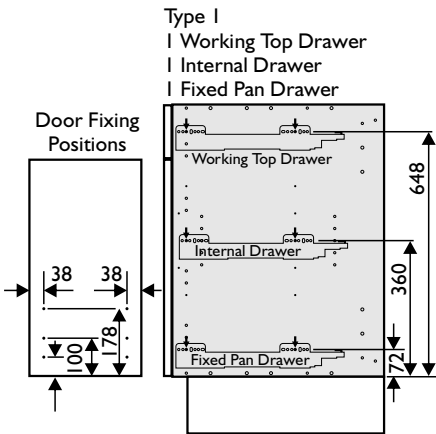
Internal Drawers are fitted in two ways:

Internal Drawers with a special fascia which is behind the exterior fascia.
 Pull-out Drawers where the exterior fascia is attached to the drawer front.
 This is always a Pan Drawer box and includes the rails.

Follow the instructions on the other side for fixing the bracket and mount for the rails to the doors. Mark the back of the doors with a bradawl in the positions shown.



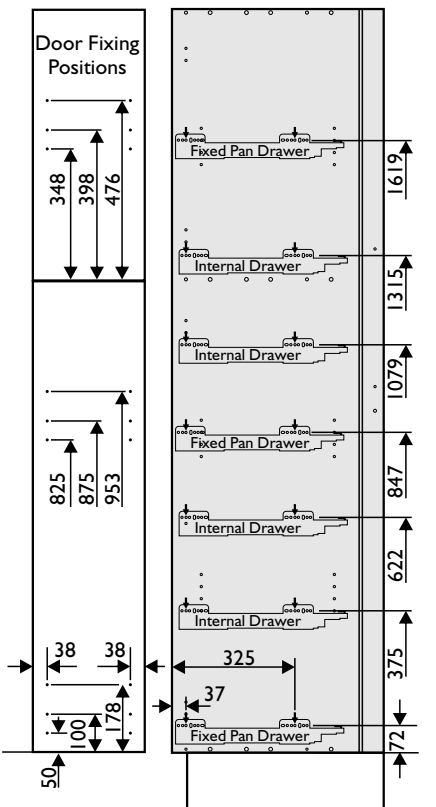
BASE UNITS



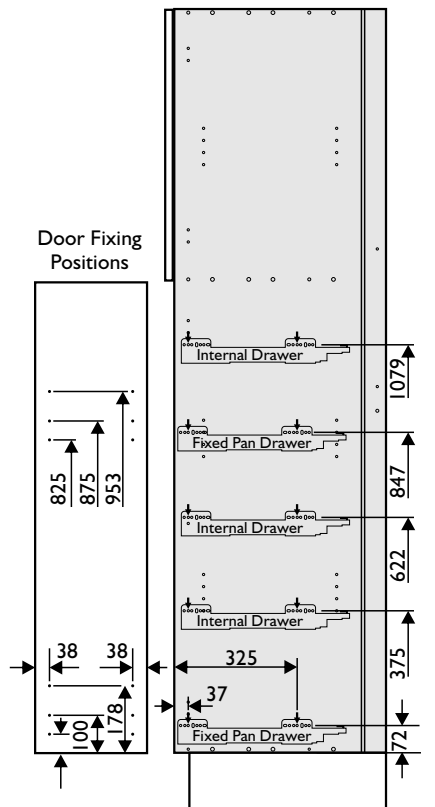
*** Important:**
 Replace the standard hinges on these units with the supplied Zero Protrusion where a door is over the Internal Drawers.

LARDERS

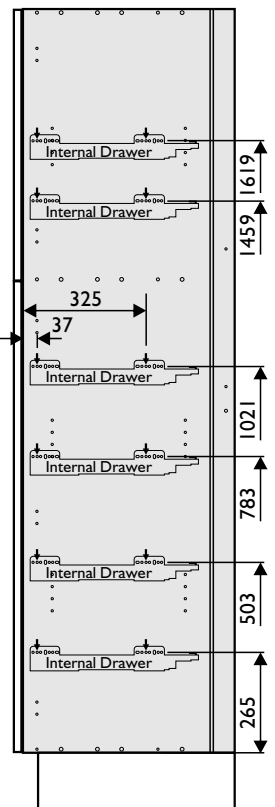
Type 1
 4 Internal Drawers
 3 Fixed Pan Drawers



Type 2
 Hinged Top Door
 3 Internal Drawers
 2 Fixed Pan Drawers



Type 3*
 Hinged Doors
 6 Internal Drawers



Type 4*
 Hinged Doors
 4 Internal Drawers

