

INSTALLATION TIPS

Caution

-Some of the fittings are small and could harm a child if swallowed. It is recommended that children are kept away from the assembly area..

-These units can be heavy and two or more people may be needed to move and install them.

Preparation

Please note that these are suggestions only, if in any doubt, consult a qualified technician.

1- Water, Electricity, and Gas. Make changes to the services first. Remember lighting may need to be altered and ventilation units installed. Note or mark the location of pipes and wires concealed in the wall in order to avoid cutting or drilling into them.

2- Make any necessary repairs to the walls, floors and ceiling. The floors and walls must be able to bear the loaded weight of the units. It is recommended that walls that are very out of plumb or not square are battened and replastered rather than using large packing and filler pieces. The floors should be reasonably level and, if necessary, resurfaced.

3- It is important that all units are fitted square and plumb so that the doors and drawerfronts can be aligned.

Safety Dimensions

Please note that these are suggestions only, if in any doubt, consult a qualified technician.

Electrical Safety.

-There should be a minimum of 500mm between a Hob and a Sink.

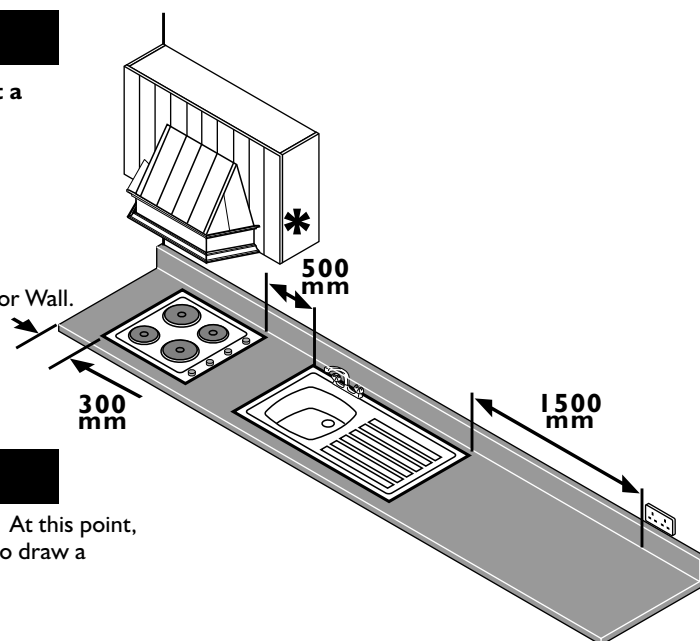
-There should be 1500mm between the sink and an electric socket.

Fire Safety.

-There should be a minimum of 300mm between a Hob and an End Panel or Wall.

-Do not position a Hob below curtains.

* For minimum heights for positioning a Cooker Hood above a Hob please refer to the manufacturers installation guide.



Fitting Procedure

1- Find the lowest point on the wall(s) where the units are to be installed. At this point, mark the wall at the height of the Base Units (870mm). Use a spirit level to draw a reference line along the wall at this height.

2- Assemble the units using the assembly sheet provided.

3- Start in a corner with a Base Unit. Position the unit against the wall and level the unit using the reference line as a guide.

4- Position and connect adjacent units (including any Accessory Units, Pilasters and Dividers) and fix the units to the wall. Refer to the plan and unit description to ensure units are correctly positioned, particularly those with Add-on End Panels.

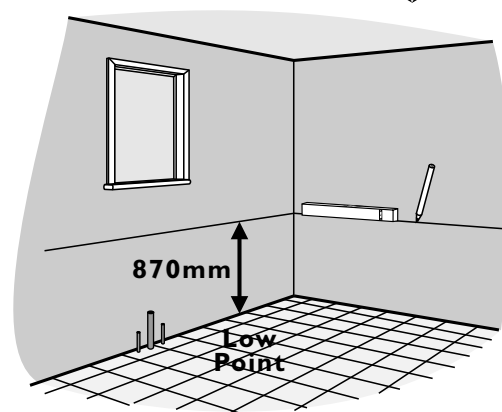
5- If there are Tall Units, install these next. Alternatively, if there are not any Tall Units, it may be necessary to fit the worktop and then install a Dresser Unit. If the worktop is fitted at this stage, protect it from damage, particularly any Gloss Finished Worktops.

6- Fit the Wall Units. Align the tops of the units with the Tall Units or Dresser Units.

7- Fit Open End Units.

8- Fit the Plinth, Cornice and Pelmet.

9- Fit the Doors and Handles.



Worktops

Important- Gloss Finished Worktops. These Worktops are easily damaged. It is recommended that the protective film is left on the Worktops during cutting, fitting, tiling, decorating, door fitting and cleaning of the finished kitchen. It should then be removed.

For information on installing hobs, sinks or taps, refer to the suppliers instructions.

Any cut edges on the Worktop should be sealed with a waterproof sealant particularly around the sink and taps. The Worktop must be joined with a suitable sealant. If possible, locate electrical sockets away from the join in the Worktop to discourage a kettle being used on the join.

Door and Unit Care

Important- Wood Doors. These doors are a natural product and variations in colour are an intrinsic feature. The colour will mellow with age. Pine units can change significantly over the first few months particularly where exposed to direct sunlight. If possible prevent strong shadows from falling on the unit so as to promote even changes to the colour.

Cleaning- All Door types. Clean the doors and units with a damp cloth. If necessary a very mild soap solution can be used to remove spills. Do not use solvents or abrasive cleaners. Polish may adversely affect some finishes and are not recommended.

Steam and Water. Steam from kettles and cooking can damage units, position units away from sources of steam if possible. Wipe any spilt liquids from the surfaces as soon as possible.