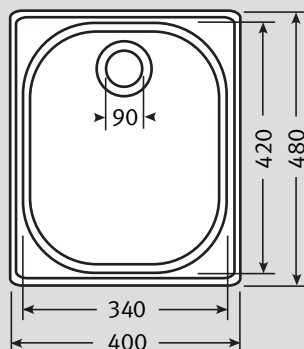


Compact CPX 610 Specifications

- **Traditional Compact Design**
- **1 x 90mm Waste with Basket Strainer Waste.** Capable of adaptation to take Waste Disposal Unit
- **4 colours of bespoke accessories available**



Material:	304 Austenitic 18/10 Stainless Steel	Waste:	1 x Lira 90mm Basket Strainer Waste with overflow	Overflow:	
Application:	Inset				
Bowl size:	340 x 420 x 175				
Drainer Format:	Not applicable				
Cut-out size:	384 x 464 (cr=20)				
Colour:	Silk Stainless Steel	Accessories available:			
Seal:	Apply sealant locally	Drainer Tray	Available in White, Almond, Brown or Black	Drainer Basket/Plate Rack	Available in White, Almond, Brown or Black
Insulation:	Grey Dynaphon for heat and sound	Drainer Basket	Stainless Steel	Food Preparation Platter	Mahogany
Heat Resistance:	Up to 300°C		Food Preparation Platter	Hygenia	
Earthing Point:	Supplied with sink				
Cabinet size:					
Sink Profile:	Double Edge	Fixing Clips:	'S' rail		
Suggested Plumbing Kit:	1 part			Taps:	Any Franke tap can be utilised with this model*.
					*Ceramic disc taps in certain installations or where there is a low head of water (below 4 metres) may not provide adequate flow rates. You are advised to check with your supplier.

Guarantee: Franke sinks are guaranteed for 25 years against manufacturing defect. Franke taps are guaranteed against defective materials and workmanship for 1 year in relation to coatings and finishes, and 5 years in relation to moving parts. Franke will replace (and where appropriate repair) defective sinks. In relation to taps, Franke will where appropriate provide replacement parts for your taps or replace your taps. Any associated or ancillary costs to be incurred by you as a result of replacement of Franke sinks and taps under this guarantee shall in all cases be previously approved by Franke UK Limited. This guarantee is in addition to and does not affect your statutory rights.